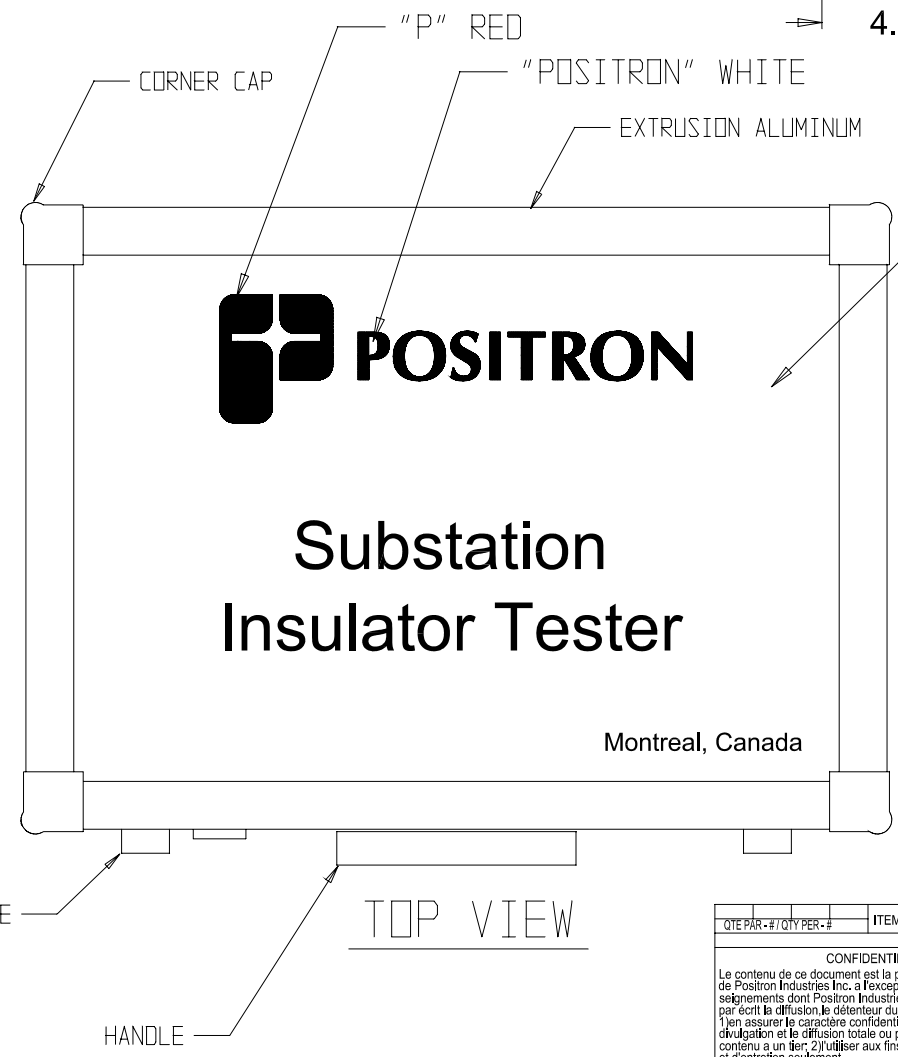
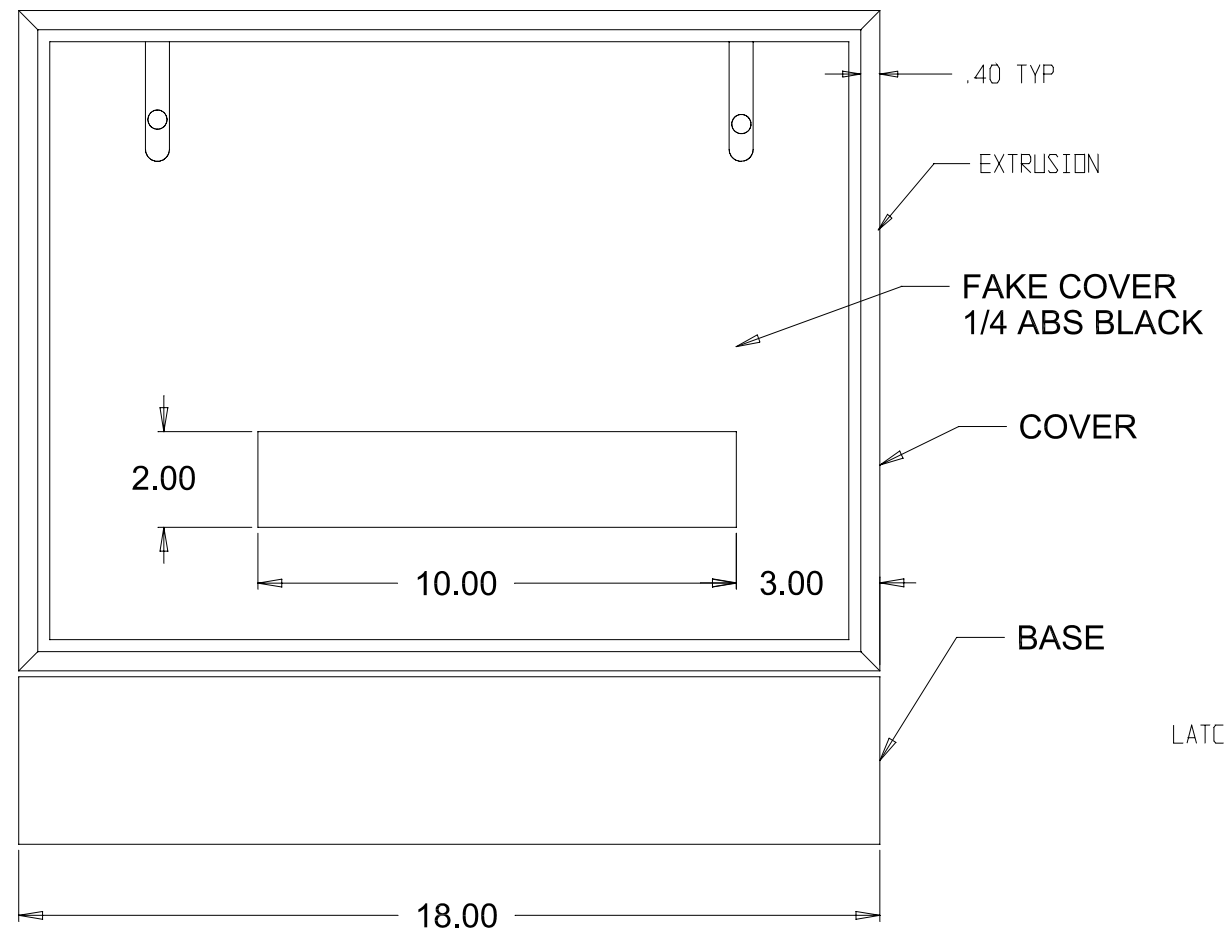
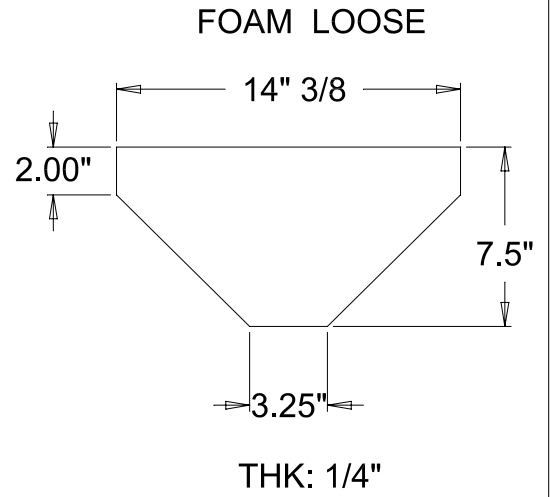
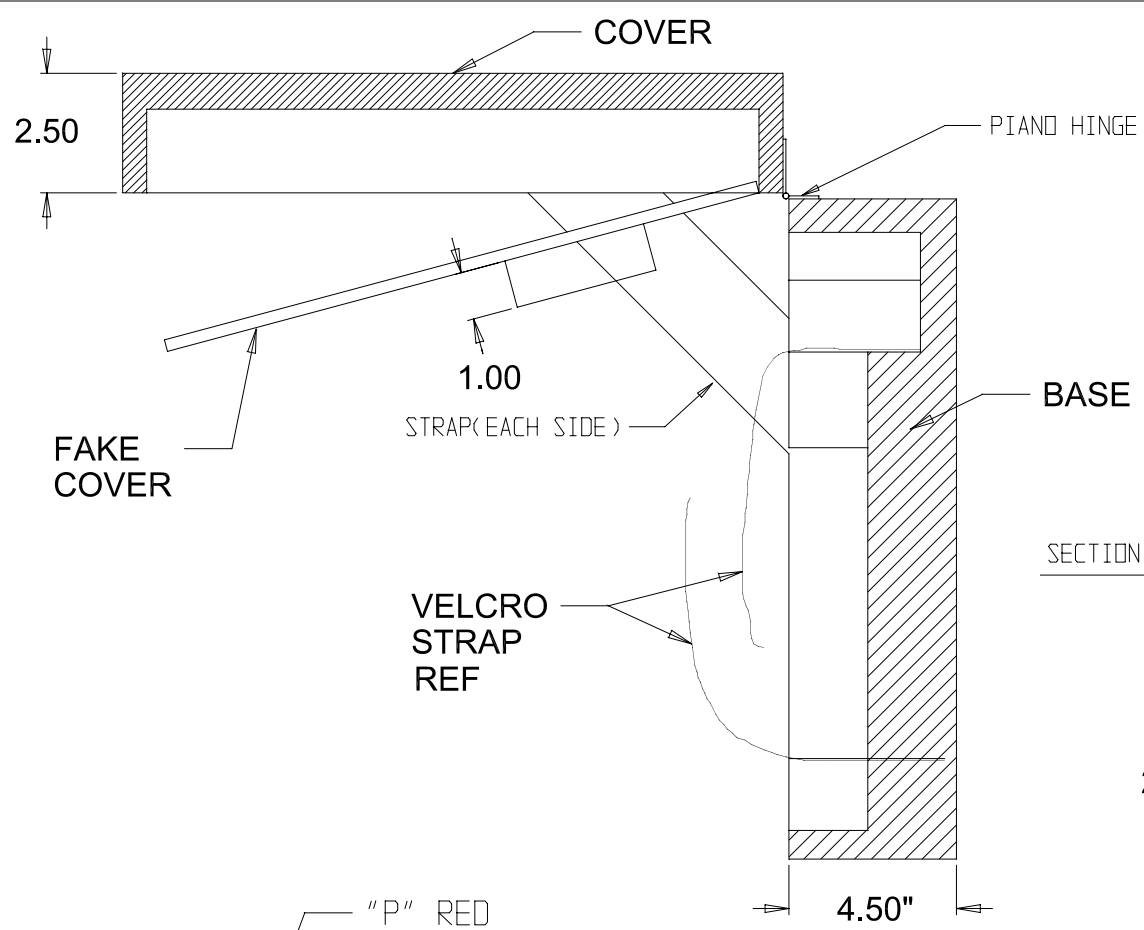
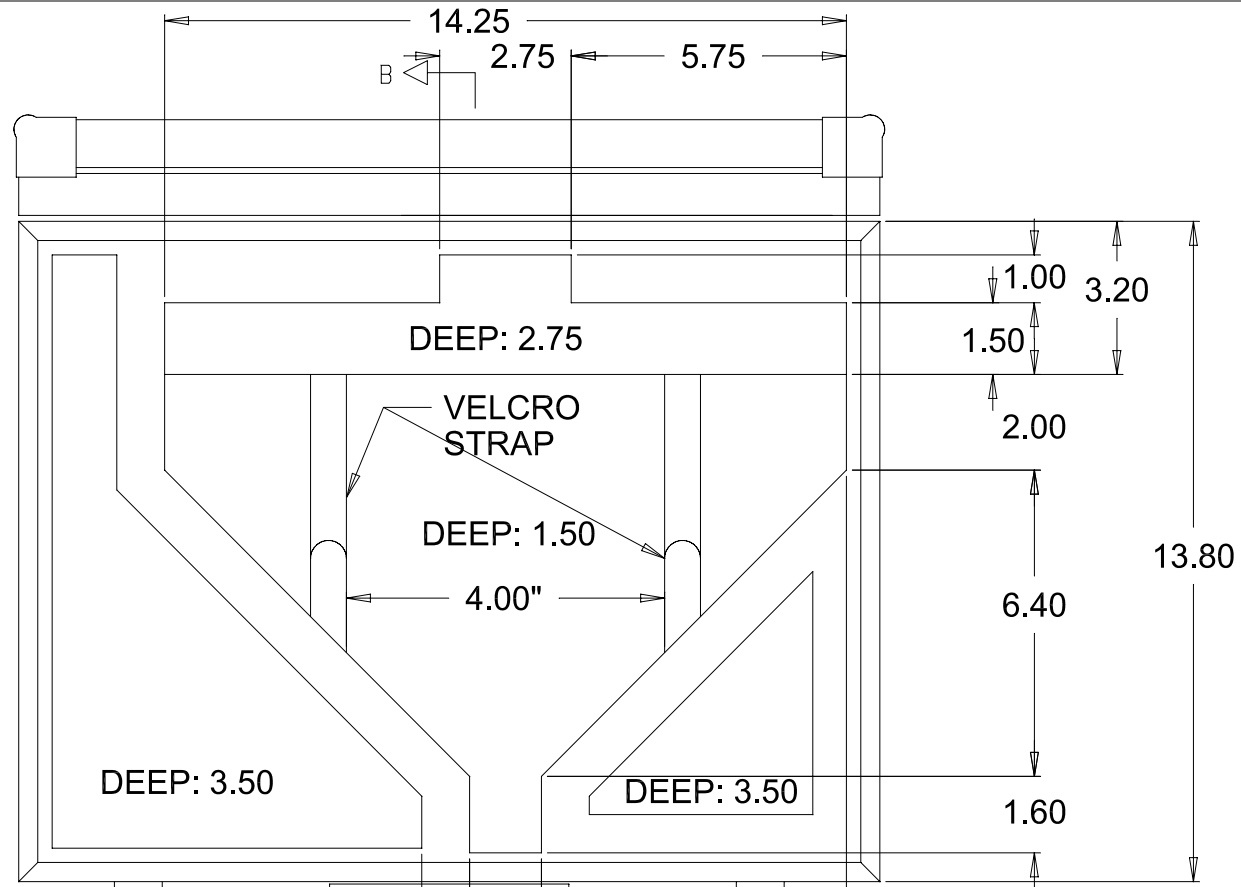



REVISIONS	
1	DATE APPR DATE
3	WECO-2271 INC. ADD DRAWING FROM MANUFACTURIE LP 30 JUN 2022



- NOTE:
- 1) REMOVE ALL BURRS & SHARP EDGES.
 - 2) BOX TO HAVE TWO RECESSED COMPRESSION BRIEFCASE STYLE LACHES WITH LOCK.
 - 3) BOX TO HAVE ONE HANDLE.
 - 4) FOAM OF BOX COVER TO TOUCH TO SURFACE OF BOX WHEN BOX IS CLOSED.
 - 5) FOAM TO BE BLACK.
 - 6) BOX TO BE BLACK.
 - 7) 8 CORNERS CAPS.
 - 8) SILKSCREEN SEE SHEET 2 AND 3
 - 9) INSTALL LATCH
 - 10) ADD TOW FOAM BLOCK 3" X 2.5" X 1.75 (FOAOM SOFT)

QTE PAR -# / QTY PER -#	ITEM	NUMERO DE PIECES POSITRON POSITRON PART NUMBER	DESCRIPTION	NUMERO DE PIECES MANUF. MFG PART NUMBER	REF DES	NOTE									
CONFIDENTIEL / CONFIDENTIAL															
<small>Le contenu de ce document est la propriété exclusive de Positron Industries Inc. à l'exception des renseignements dont Positron Industries Inc. a autorisé par écrit la diffusion. Le détenteur du document doit s'assurer le caractère confidentiel et empêcher la divulgation et la diffusion totale ou partielle du contenu à un tiers. 2) Utiliser aux fins d'exploitation et d'entretien seulement.</small>			<small>The information contained in this document is the property of Positron Industries Inc., except as specifically authorized in writing by Positron Industries Inc. The holder of this document: 1) shall keep all information contained herein confidential and shall protect same in whole or in part from disclosure and dissemination to all third parties and 2) shall use same for operating and maintenance purposes only.</small>												
<small>TOLERANCES</small> <table border="1"> <tr> <td>±</td> <td>.XX</td> <td>.XXX</td> <td>DIA</td> </tr> <tr> <td>±</td> <td>.02</td> <td>± .010</td> <td>± .003</td> </tr> </table>		±	.XX	.XXX	DIA	±	.02	± .010	± .003	REF	SCALE ECHELLE	DES PAR/DRAWN BY LUC POULIN 22 MARS 2018	VERIF.PAR/CHECKED BY	MANUF./MFG	APPR./PAR/APPR. BY
±	.XX	.XXX	DIA												
±	.02	± .010	± .003												
<small>PROCHAIN ASS: NEXT ASSY:</small> <small>UTILISER: USED ON:</small>		DB0	SCA D	PAGE SHEET 1 DE 3	NUMERO DE DESSIN/DRAWING NO. 600W000247-001	DATE DE REL. REL. DATE									
															
<small>MONTREAL TORONTO NEW YORK</small>															
<small>TITRE/TITLE</small>															