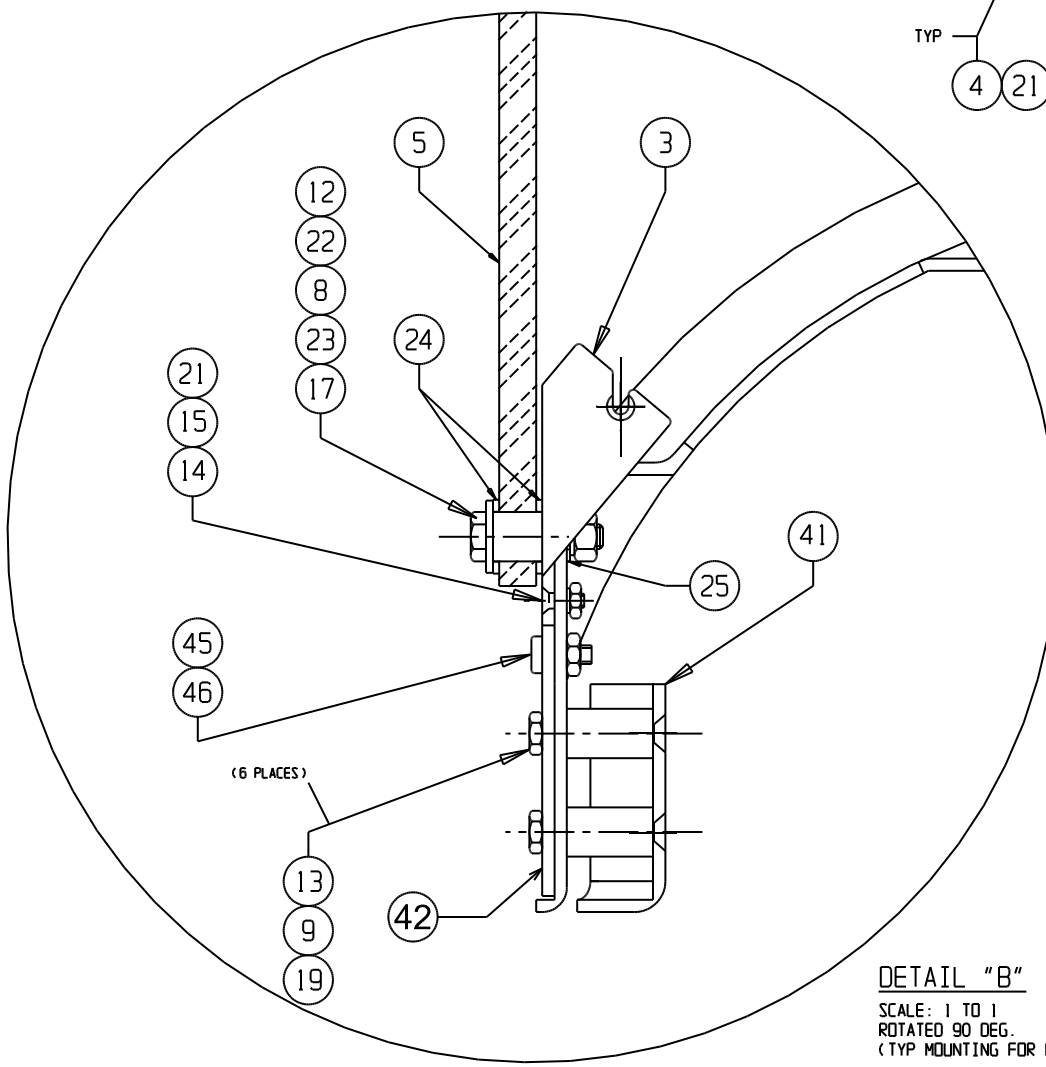
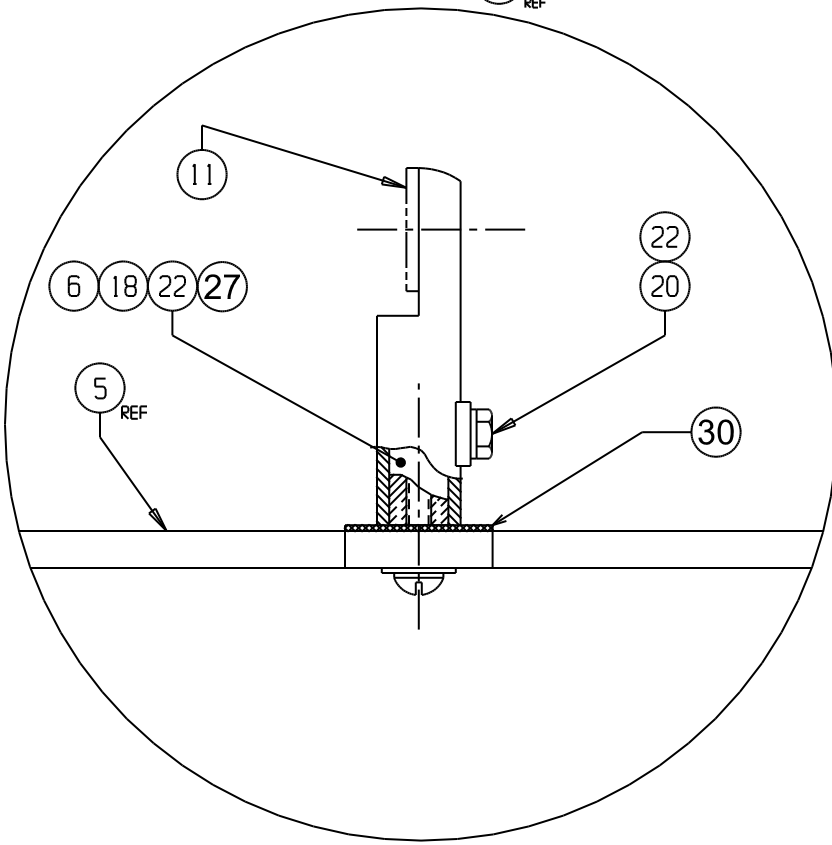
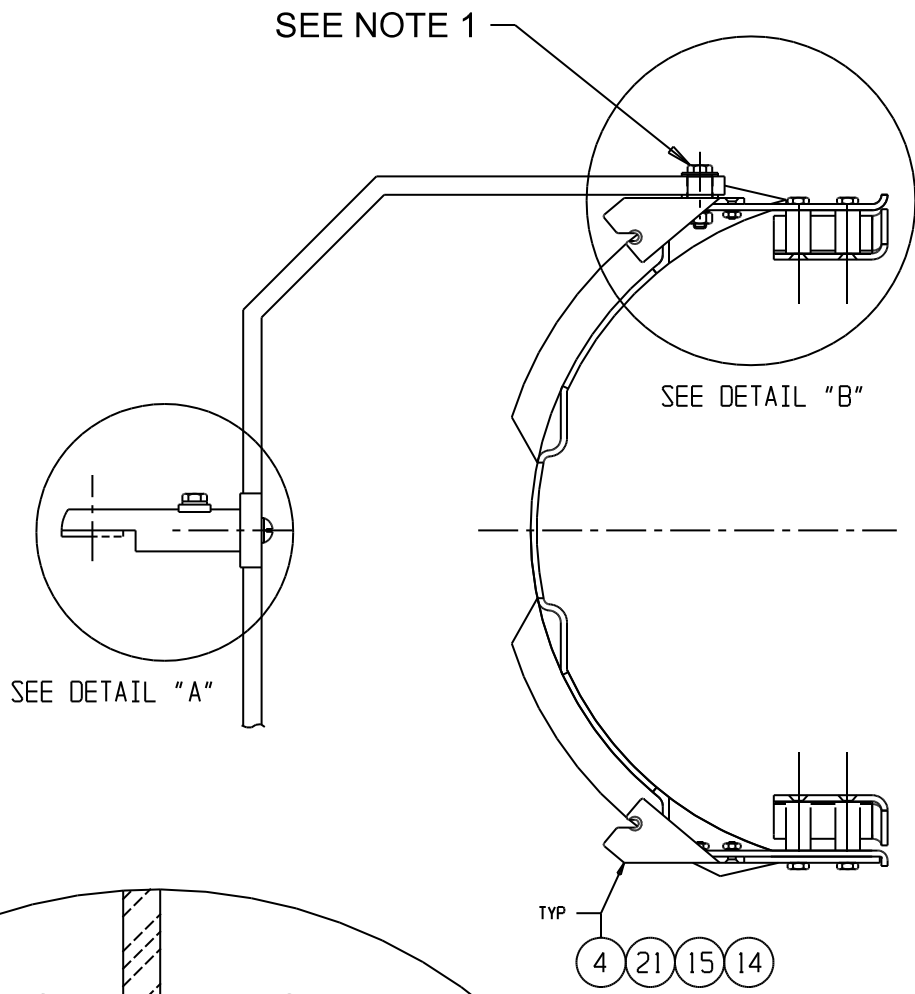
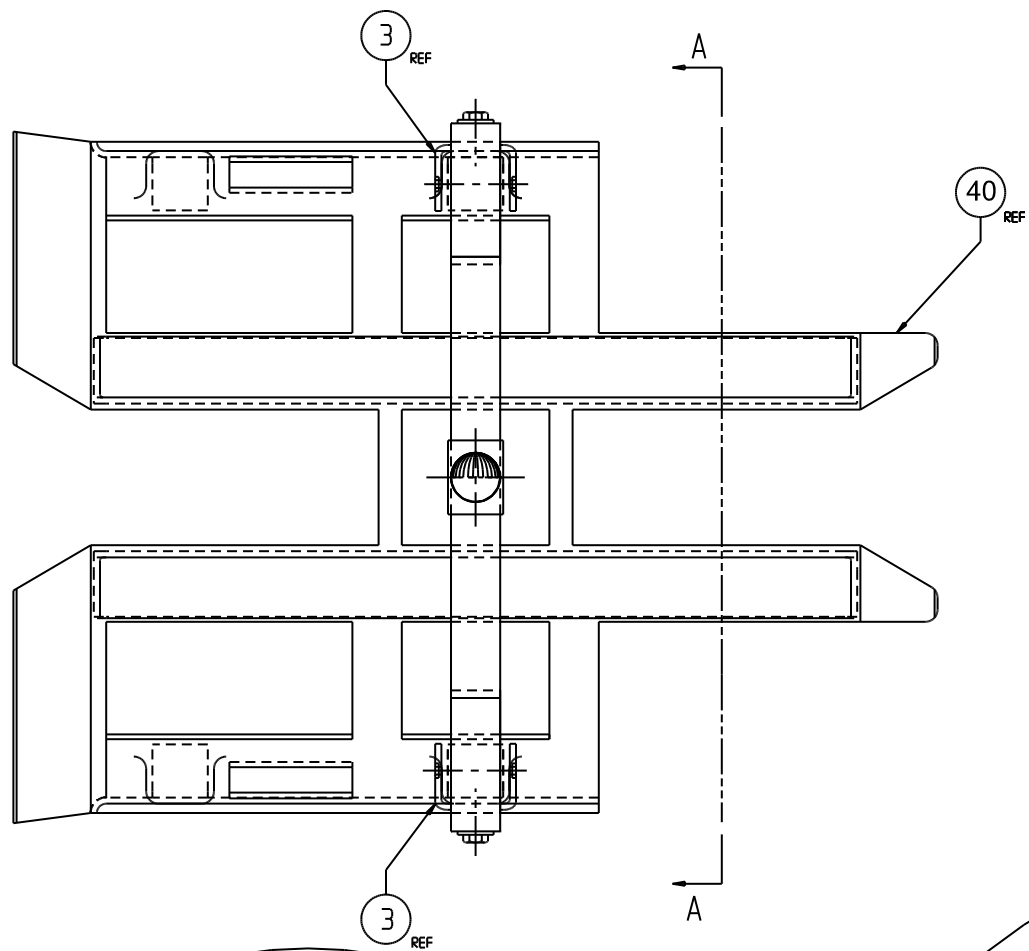


REVISIONS	
1	DATE APPR DATE
2	WECO-2259 INC. LP 8 OCT 2020
3	WECO-2282 INC. LP 21 MAI 2024



**NOTE:**  
 1- TO INSTALL THE HANDLE APPLIES A FORCE OF 5 N-m WITH THE DIGITAL TORQUE WRENCH ON ITEM 17. USE SOCKET 3/8" SQUARE DRIVE, AND 6 POINT SOCKET 7/16" FOR THE SCREW AND THE NUT.

**DETAIL "A"**  
 SCALE: 1 TO 1  
 ROTATED 90 DEG.

**DETAIL "B"**  
 SCALE: 1 TO 1  
 ROTATED 90 DEG.  
 (TYP MOUNTING FOR BOTH SIDES)

QTE PAR - # / QTY PER - #	ITEM	NUMERO DE PIECES POSITRON POSITRON PART NUMBER	DESCRIPTION	NUMERO DE PIECES MANUF. MFG PART NUMBER	REF DES	NOTE
		CONFIDENTIEL			PAGE / SHEET	
		Le contenu de ce document est la propriété exclusive de Positron Inc. à l'exception des renseignements dont du document doit.			1 DE 1	
		1) en assurer le caractère confidentiel et empêcher la divulgation et la diffusion totale ou partielle du contenu à un tier.			TITRE/TITLE	
		2) l'utiliser aux fins d'exploitation et d'entretien seulement.			ASS'Y DWG. SUPPORT ASSY 10" (MODIFIED)	
		CONFIDENTIAL			SCALE	
		The information contained in this document is the property of Positron Inc. except as specifically authorized in writing by Positron Inc. The holder of this document.			ECHELLE	
		1) shall keep all information contained herein confidential and shall protect same in whole or in part from disclosure and dissemination to all third parties.			DESS-PAR/DRAW BY	
		2) shall use same for operating and maintenance purposes only.			LUC POULIN	
					14 NOV 2018	
		TOLERANCES			GRANDEUR	
		REF			D	
		.XX .XXX DIA			SIZE	
		± ± .02 ± .010 ± .003			NUMERO DE DESSIN / DRAWING NO.	
		MAT:			244W000158-101	
		PROCHAIN ASS:			RELACHER / RELEASE	
		NEXT ASSY:			R03	
		UTILISER:				
		USED ON:				