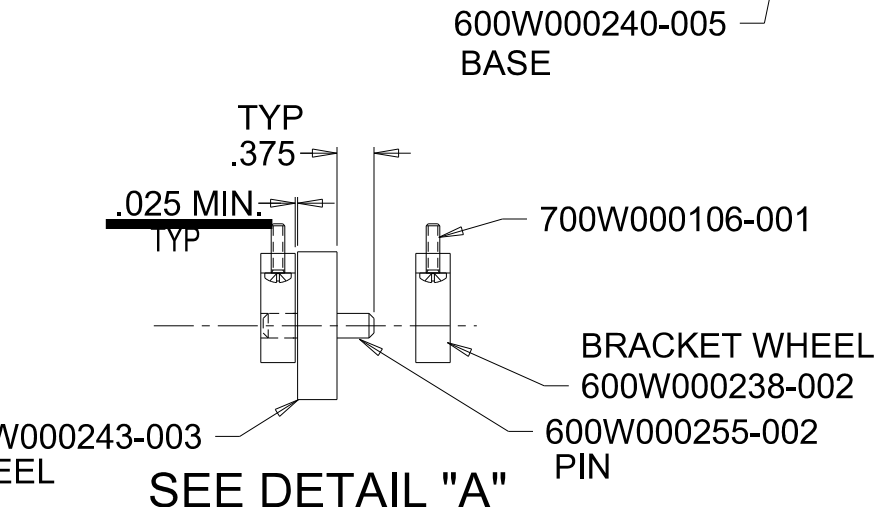
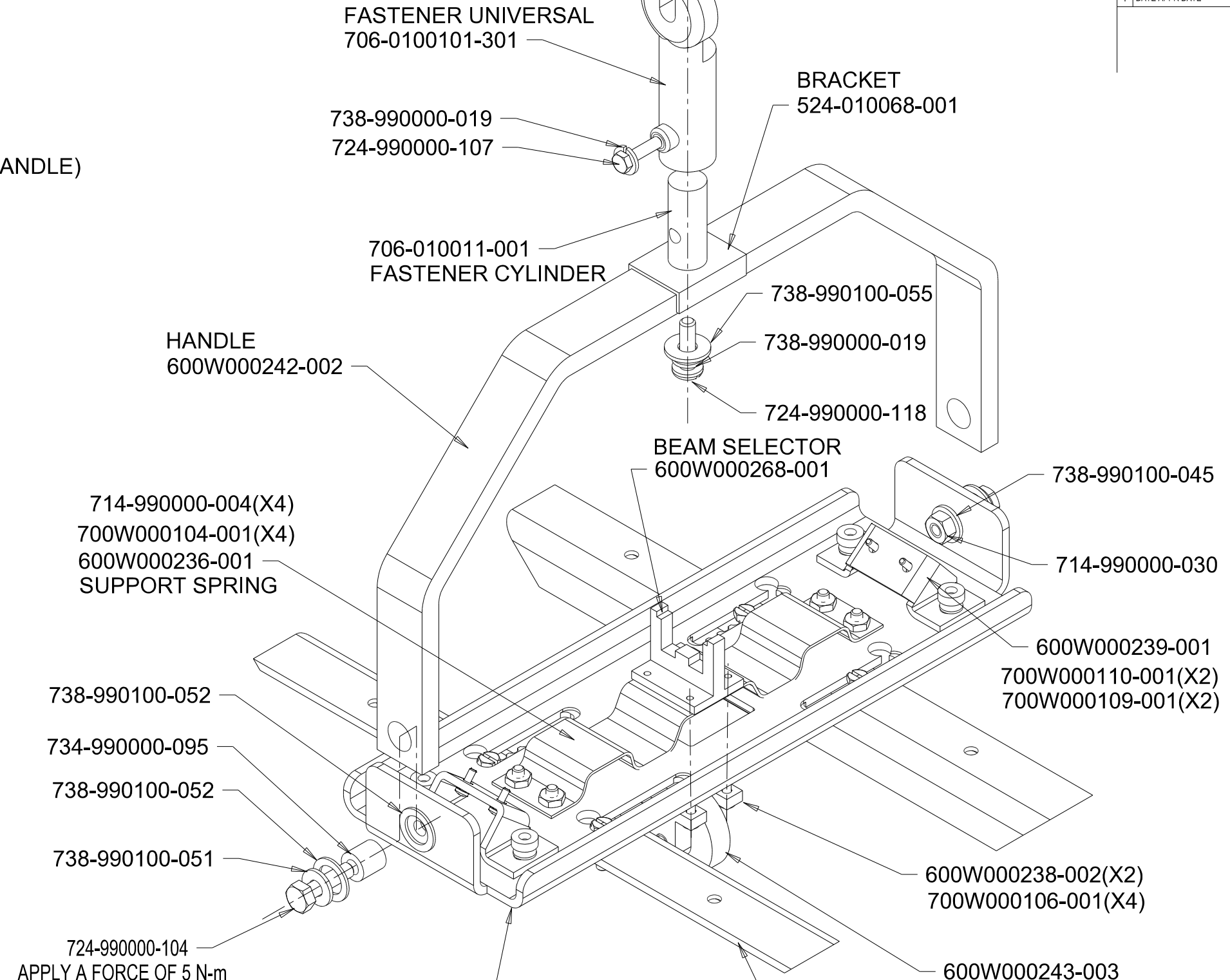


MOUNTING INSTRUCTIONS:

- INSTALL BRACKET & FASTENER CYLINDER ON HANDLE
- INSTALL FASTENER UNIVERSAL ON FASTENER CYLINDER
- INSTALL HANDLE ON BASE, WITH THE DIGITAL TORQUE WRENCH APPLIES A FORCE OF 5 N-m. USE SOCKET 3/8 SQUARE DRIVE AND 6 POINT SOCKET 7/16" FOR SCREW AND THE NUT.
- INSERT PIN IN WHEEL (SEE DETAIL "A")
- INSTALL BRACKET WHEEL ON PIN (SEE DETAIL "A")
- INSTALL BEAM SELECTOR & WHEEL BRACKET ON SUPPORT SPRING
- INSTALL SUPPORT SPRING ON BASE
- INSTALL SUPPORT UFP ON BASE
- DO NOT INSTALL SKI ON BASE



DO NOT INSTALL SKI ON BASE

QTY PAR - # / QTY PER - #	ITEM	NUMERO DE PIECES POSITRON POSITRON PART NUMBER	DESCRIPTION	NUMERO DE PIECES MANUF. MFG PART NUMBER	REF DES	NOTE
<p>CONFIDENTIAL Le contenu de ce document est la propriété exclusive de Positron Inc. à l'exception des renseignements dont du document ci-est. 1) en assurer le caractère confidentiel et empêcher la divulgation et la diffusion totale ou partielle du contenu à un tiers. 2) Utiliser aux fins d'exploitation et d'entretien seulement.</p>			<p>CONFIDENTIAL The information contained in this document is the property of Positron Inc. except as specifically authorized in writing by Positron Inc. The holder of this document. 1) shall keep all information contained herein confidential and shall protect same in whole or in part from disclosure and dissemination to all third parties. 2) shall use same for operating and maintenance purposes only.</p>			<p>PAGE / SHEET 1 DE 1</p>
<p>TOLERANCES XX .XXX DIA ± .02 ± .010 ± .003</p>			REF	SCALE ECHELLE	DESSIN/DRAWN BY LUC POULIN 17 JAN 2924	VERIF/PAR CHECKED BY APPR/PAR/APPBY
<p>MAT: FIN:</p>			PROCHAIN ASS: NEXT ASSY:	GRANDEUR D SIZE	NUMERO DE DESSIN / DRAWING NO. 241W000175-101	RELACHER/RELEASE R04